

200GHz Channel Dense Wavelength Division Multiplexing

Features:

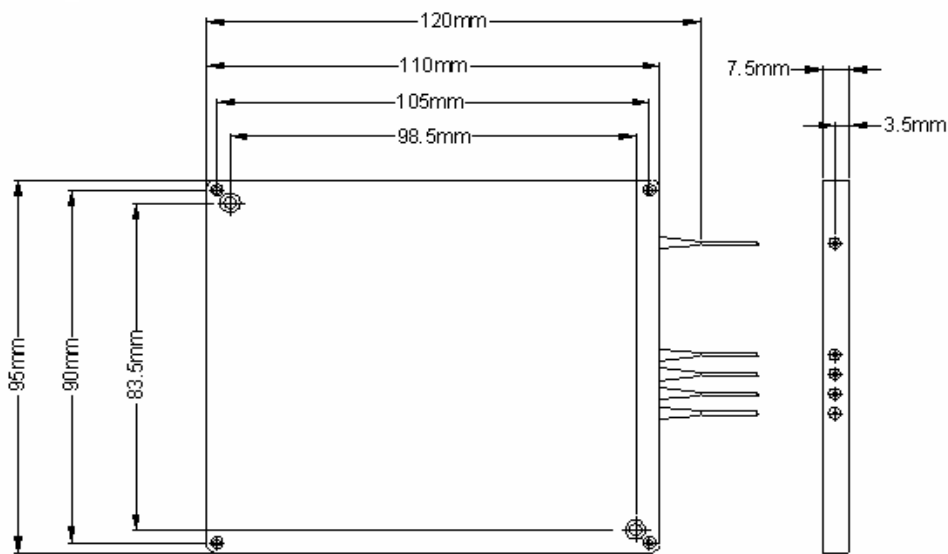
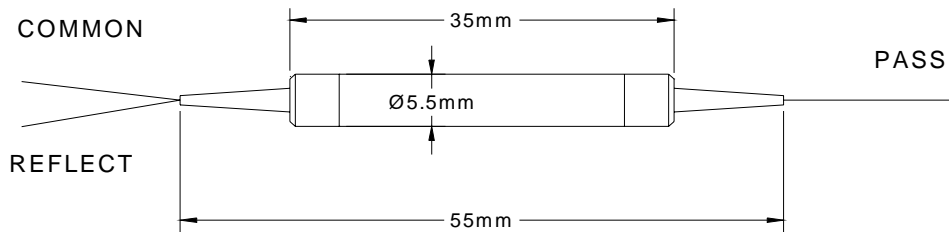
100GHz ITU Channel Spacing
 Low Insertion Loss
 Wide Pass Band
 High Channel Isolation
 High Stability and Reliability
 Epoxy Free Optical Path

Applications:

Channel Add / Drop
 DWDM Network
 Wavelength Routing
 Fiber Optical Amplifier
 CATV Fiberoptic System

Parameter			4-Channel	8-Channel	16Channel	32Channel
			MUX / DEMUX			
Channel Wavelength		nm	1528~1640 ITU Grid	ITU 100 GHz Grid	ITU 100 GHz Grid)	ITU 100 GHz Grid)
Center Wavelength Accuracy		nm	±0.1	±0.1	±0.1	±0.1
Minimum Channel Spacing		GHz	200	200	200	200
Channel Passband (@-0.5dB bandwidth)		dB	±0.22	±0.22	±0.22	±0.22
Insertion Loss	Typical	dB	≤1.6	≤2.8	≤5.0	≤8.0
	Max	dB	≤1.8	≤3.2	≤5.5	≤9.0
Channel Ripple		dB	<0.5	<0.5	<0.5	<0.5
Isolation	Adjacent	dB	>30			
	Non-adjacent	dB	>40			
Insertion Loss Temperature Sensitivity		dB/°C	<0.005			
Wavelength Temperature Shifting		nm/°C	<0.002			
Polarization Dependent Loss		dB	<0.20			
Polarization Mode Dispersion		ps	<0.20			
Directivity		dB	>50			
Return Loss		dB	>45			
Maximum Power Handling		mW	500			
Operating Temperature		°C	0~+70			
Storage Temperature		°C	-40~+85			
Package Dimension		mm	∅5.5 X 35 Bare Fiber L110 x W95 x H7.5 (Metal) L120 X W80 X H11.6 (ABS)			

Package Dimensions



0

B

①①Channel Spacing
1=200GHz

②Structure
4=4 Channel
8=8 Channel
16=16 Channel
32=32 Channel

③1stITU Channel
21=1560.61nm
22=1559.79nm
23=1558.98nm

④Fiber type
1=250um bare fiber
2=900um loose tube

⑤Fiber length
1=1m
2=2m
S=custom spec

⑥Package dimension
A=Package dimension A
B=Package dimension B
C=Package dimension C
D=Package dimension D
S=Custom spec

⑦Connector
0=None
1=FC/APC
2=FC/PC
3=SC/APC
4=SC/PC
5=ST
6=LC
S=Specify