

## 1×8 Optical Switch

### Features:

- Wide Wavelength Range
- Low Insertion Loss
- Low Back Reflection
- High Reliability、 High dependabi
- No glue in the Route
- Latching and Non-latching contro

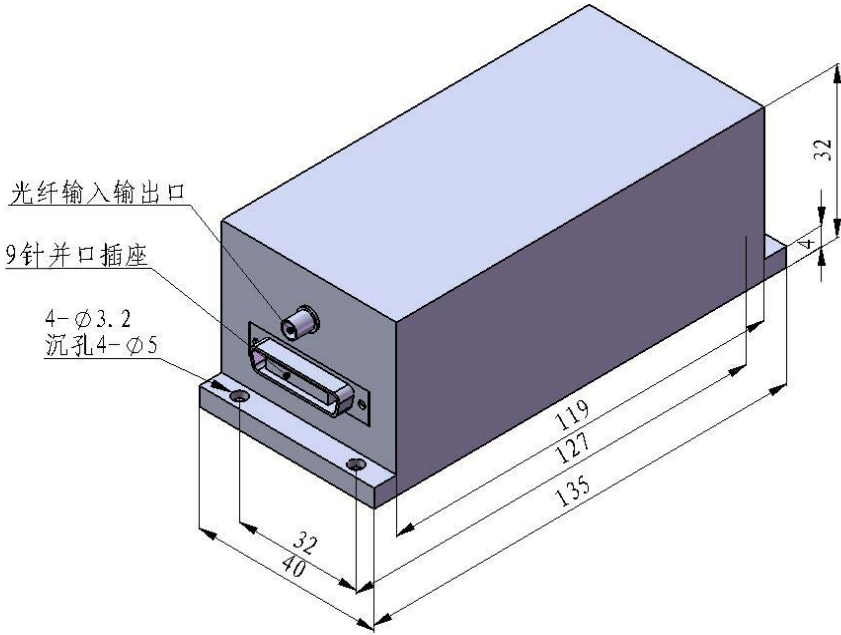
### Applications:

- Configurable& OADM
- Metropolitan Area Networks
- System Monitoring
- Component Testing
- For R&D in Laboratory



Wavelength Range	nm	1310or1550 (SM)		1310&1550 (SM)		850or1310 (MM)	
Insertion Loss	dB	Typ:0.3	Max:0.5	Typ:0.5	Max:0.8	Typ:0.5	Max:0.8
PDL	dB	≤0.05					
Return Loss	dB	SM≥50、 MM≥30					
Cross-Talk	dB	SM≥55、 MM≥35					
Wavelength RelativeLoss	dB	Type≤0.5 Max:0.8					
PDL	dB	≤0.05					
TDL	dB	≤0.25					
WDL	dB	≤0.25					
Repeatability	dB	≤±0.02					
Operating Voltage	v	+5 or 12					
Durability(Life)	times	≥ 10 <sup>9</sup>					
Switching Time	ms	≤8					
Transmission Power	mw	≤500					
Operating Temperature	°C	-20~+70					
Storage Temperature	°C	-20~+85					
Dimension	mm	(L)135×(W)64×(H)32					

Optical Switch size:



Information of order

H-FSW-18-□-□-□-□-□

wavelength: 85=850nm  
13=1310nm  
15=1550nm

M = module, U = cabinet  
Connector Type: FC、ST、ST、LC..  
Pingtail: 0.5M、1.0M、1.5M  
Type: S=SM、M=MM